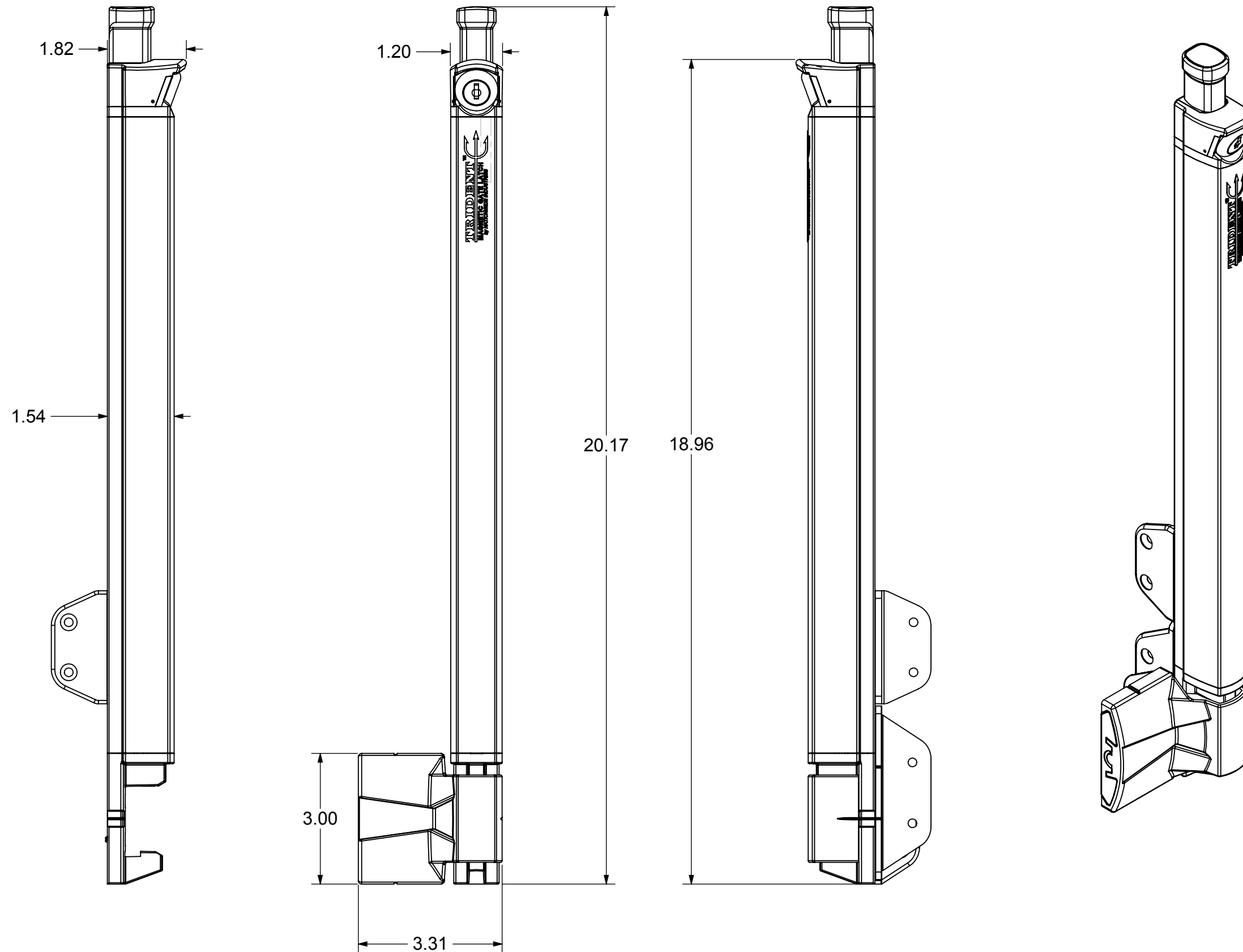
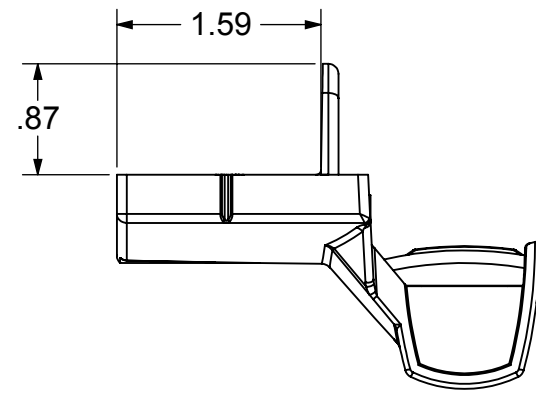


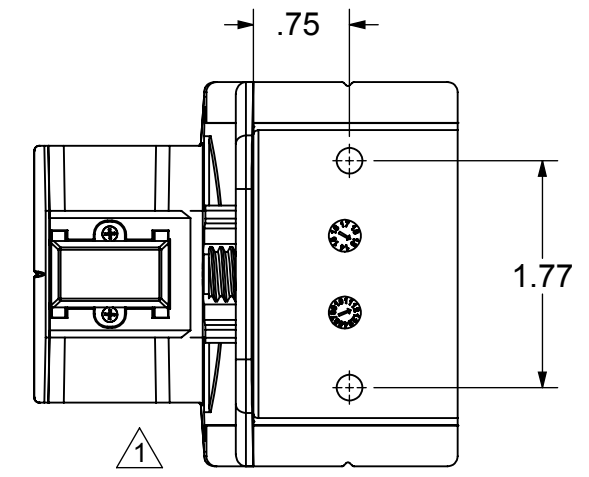
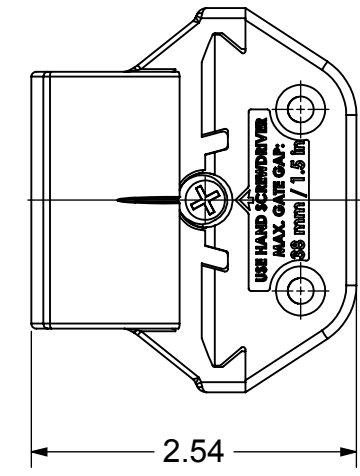
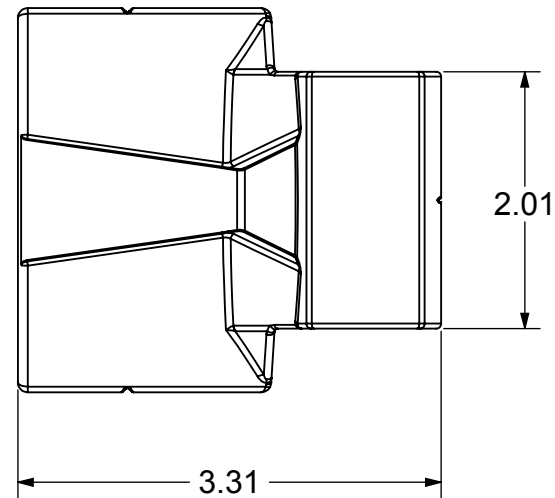
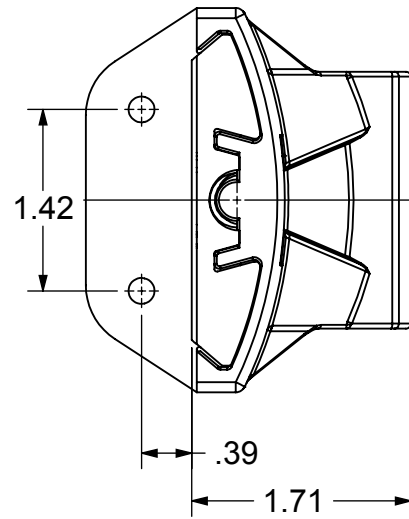
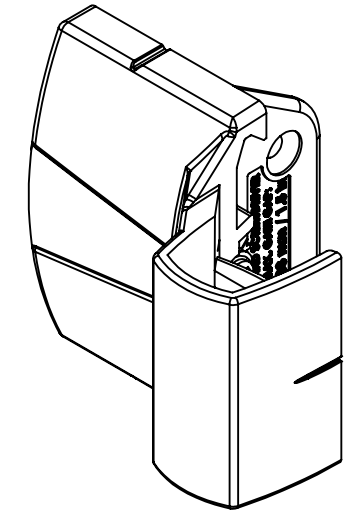
PART #	COLOR
TRIDENT20-BK	BLACK
TRIDENT20-WH	WHITE

ECR/DCR	REV.	REVISIONS DESCRIPTION	DATE	APPD
-	-	INITIAL RELEASE	08/01/13	-
-	1	REVISED KEEPER MAGNET COVER AND DATE INSERT	05/05/14	-

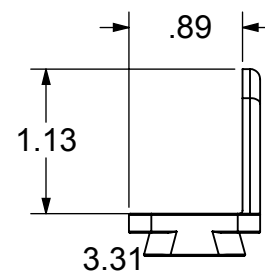
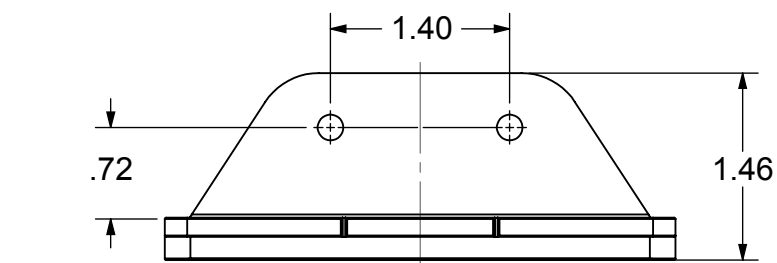
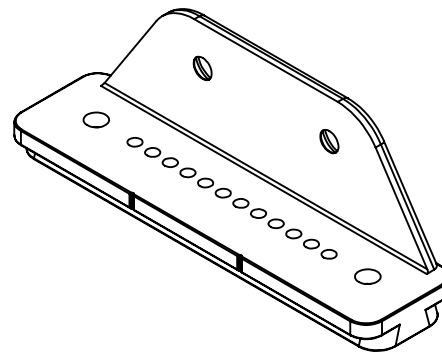
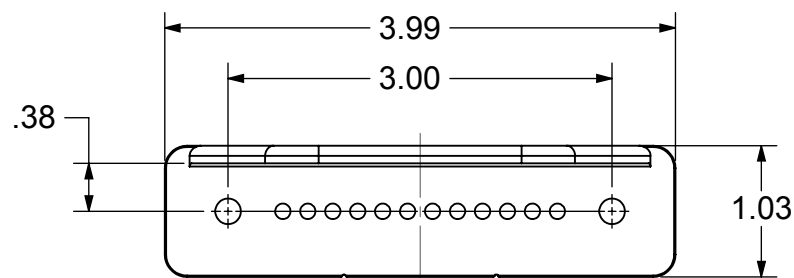




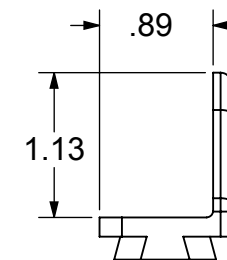
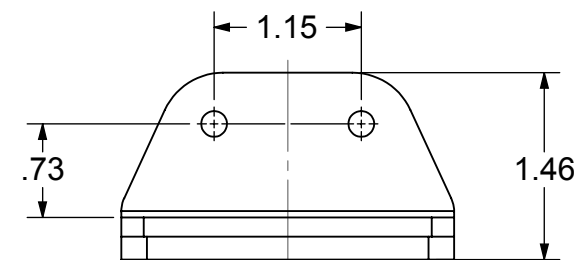
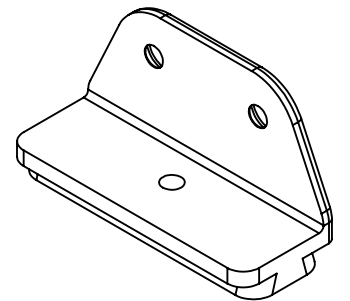
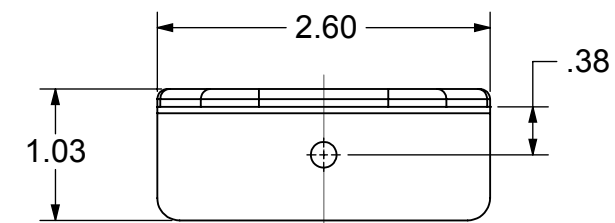
KEEPER

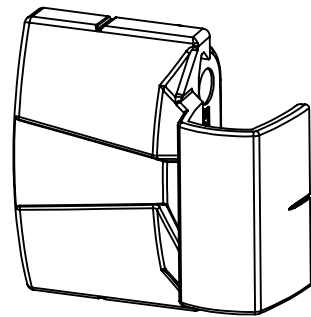


LOWER MOUNTING BRACKET



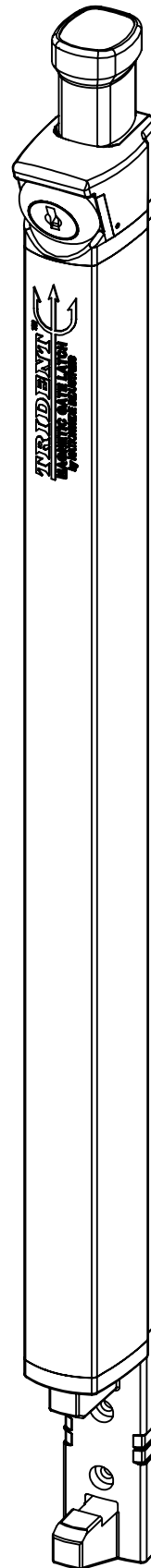
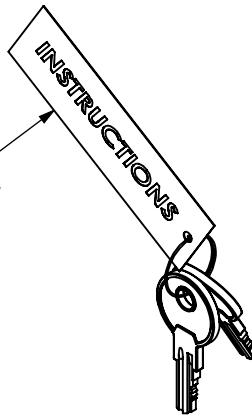
UPPER MOUNTING BRACKET





(1) STRIKER ASSEMBLY

KEY TAG
NON-TEARABLE
PAPER



**(1) LATCH ASSEMBLY
with KEY**

TRIDENT20 

PACKAGING INSTRUCTIONS:

1) POLY-BAG MOUNTING SCREW KIT

KIT CONTAINS:

(11) #10 x .75" SELF-DRILLING PHILIPS FLAT HD SCREWS

(1) #8 x .38" PHILIPS FLAT HD SCREW

(1) UPPER MOUNTING BRACKET

(1) LOWER MOUNTING BRACKET

2) "Trident" PRINTED POLY-BAG:

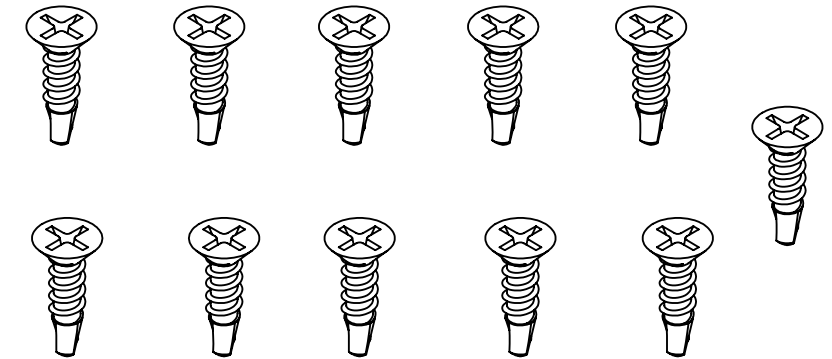
(1) TOP PULL LATCH ASSEMBLY

(1) STRIKER ASSEMBLY

(1) MOUNTING SCREW KIT

(1) "Nationwide" INSTRUCTION SHEET

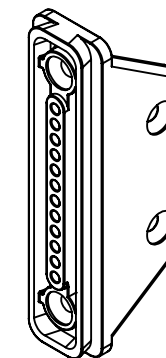
(1) WARRANTY SHEET



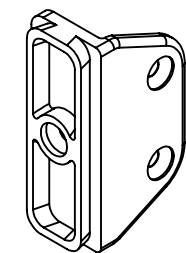
**(11) #10 x .75" SELF-DRILLING PHILIPS FLAT HD SCREW
MAT'L: 18-8 STAINLESS STEEL
FINISH: PAINT TO MATCH LATCH**



**(1) #8 x .38" PHILIPS FLAT HD SCREW
MAT'L: 18-8 STAINLESS STEEL
FINISH: PAINT TO MATCH LATCH**



(1) LOWER MOUNTING BRACKET



(1) UPPER MOUNTING BRACKET

TOP PULL
LATCH ASSEMBLY
OUTLINE & DIMENSIONS

CS--TRIDENT20
1.762 LB.